

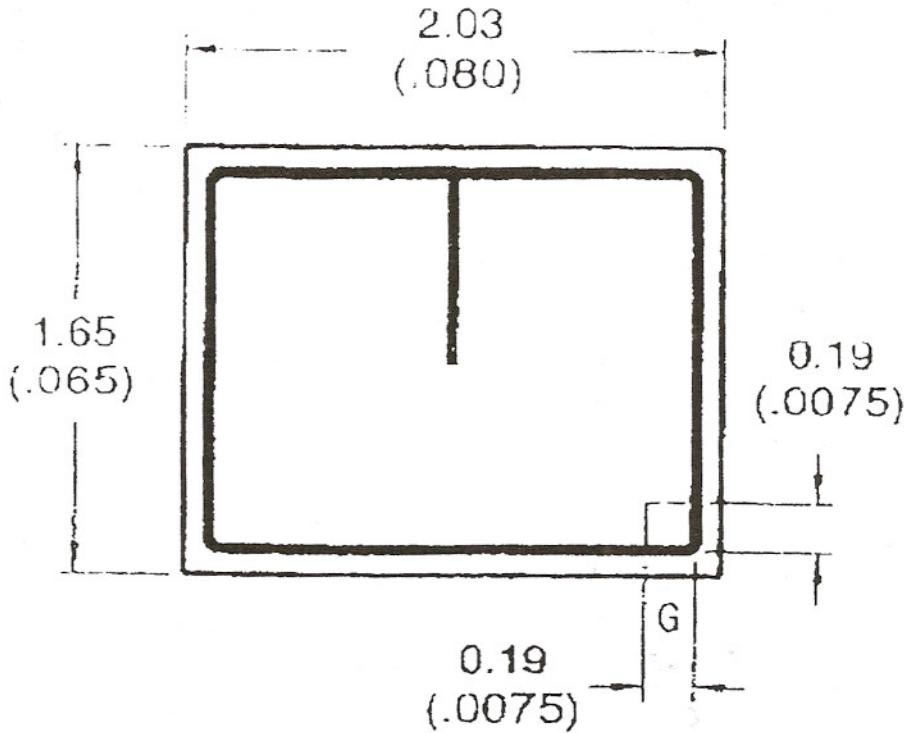


# Sierra Components, Inc.

2222 Park Place Building 3 Suite E • Minden, Nevada 89423

Phone: 775.783.4940 Fax: 775.783.4947

Chip back potential is the level which bulk silicon is maintained by on-chip connection, or it is the level to which the chip back must be connected when specifically stated below. If no potential is given the chip back should be isolated.



**Topside Metal: Al**

**Backside: -**

**Backside Potential: -**

**Mask Ref: -**

**Bond Pads : See above**

**APPROVED BY: CD**

**MFG: International Rectifier**

**DIE SIZE : .080" x .065"**

**THICKNESS: .011**

**DATE: 12/18/02**

**P/N: IRFC7204**